

# HYDRAULIC LIFTING

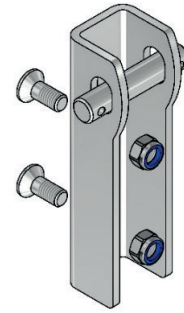
Versus Axces lifting systems



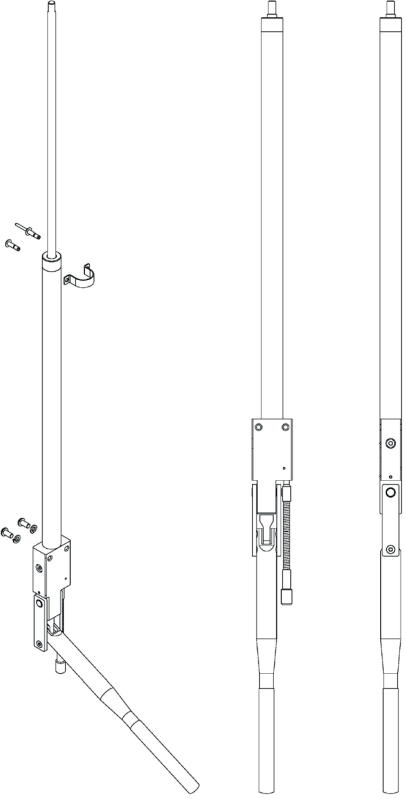
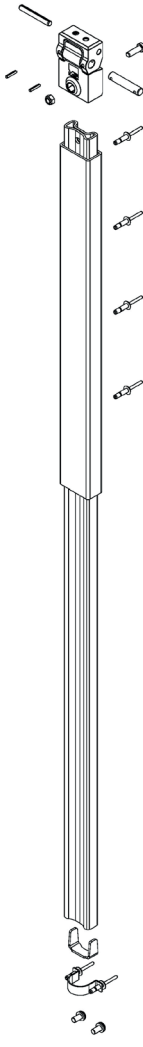
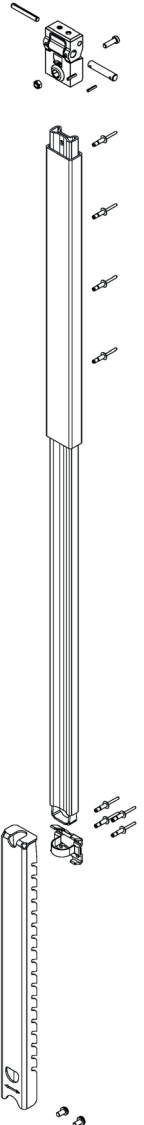


# HYDRAMAN ALU

Manual hydraulic lifting using lightweight steel extensions and aluminum pumps.



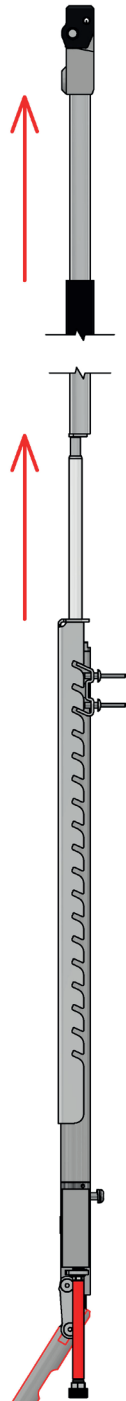
Counterpart for one-sided roof lift kit  
0538 215.500

0351 225.000	0351 226.000	0351 228.000
Hydraman ALU 500 pump	Set connect Hydraman Type 2	Set lift & drive PRO
Hydraulic pump, lifting up to 500 mm	Pickup kit	Lifting and 2nd driving position kit
<p data-bbox="347 1070 576 1093">FRONT VIEW SIDE VIEW</p>  <p>The Hydraman ALU 500 pump is shown in three views: a front view, a side view, and a perspective view. The front view shows the pump's main body and the lifting arm. The side view shows the pump's profile. The perspective view shows the pump from an angle, highlighting its compact design.</p>	 <p>The Set connect Hydraman Type 2 pickup kit includes a central pickup unit and several connecting components. The drawing shows the pickup unit with various ports and a handle, along with several bolts and nuts used for assembly.</p>	 <p>The Set lift &amp; drive PRO kit consists of a long, vertical lifting arm and a driving mechanism. The drawing shows the lifting arm with various mounting points and the driving mechanism at the bottom, which includes a handle and a pump.</p>

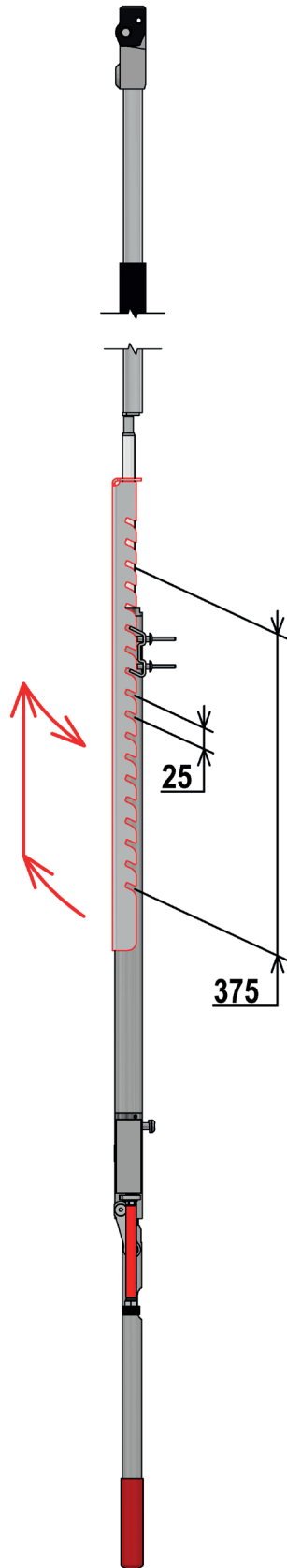
# HYDRAMAN ALU

Adjusting the driving position height for Hydraman ALU - LIFT&DRIVE PRO

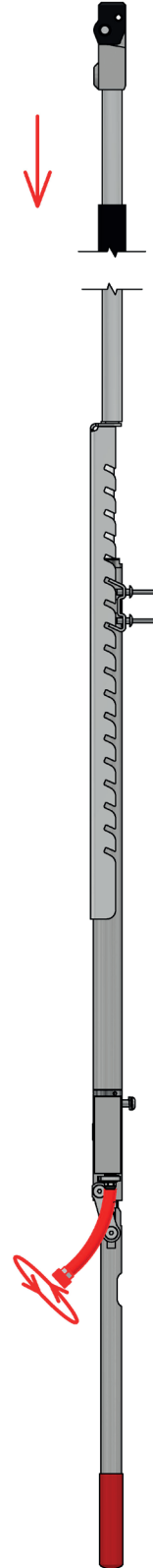
**1.**  
LIFT  
ZDVIH



**2.**  
HEIGHT ADJUSTMENT  
NASTAVENÍ VÝŠKY

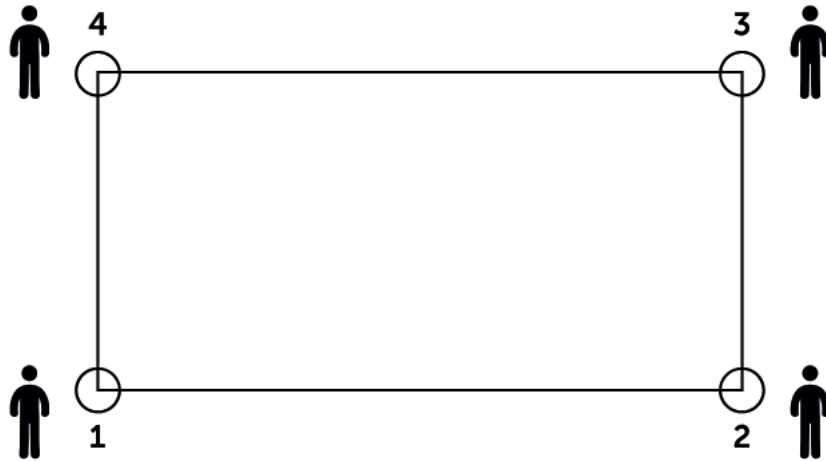




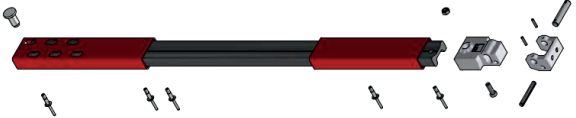
**3.**  
RELEASE  
UVOLNĚNÍ

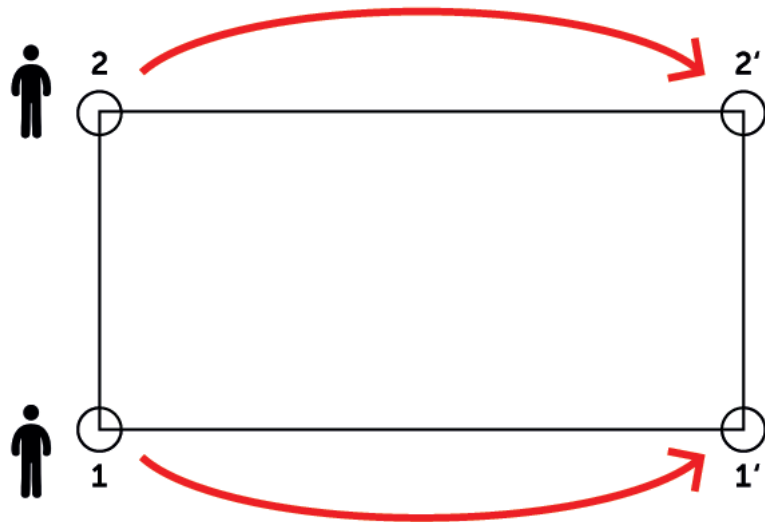



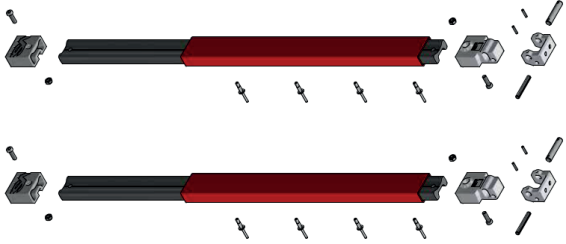
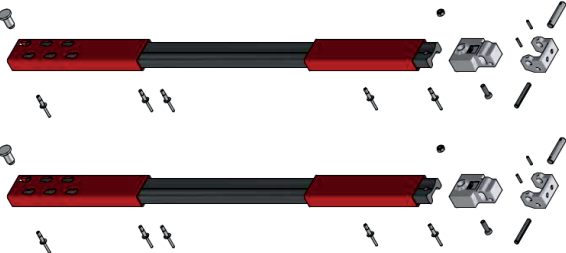
# HYDRAMAN

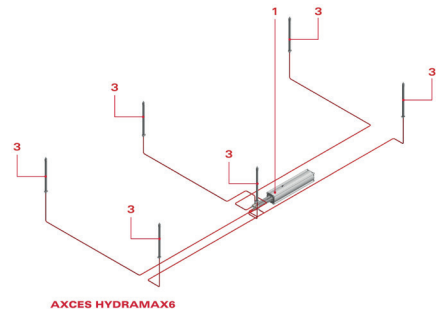
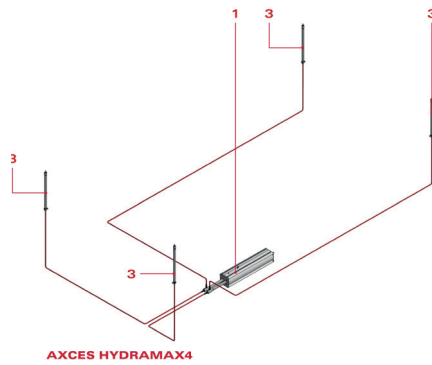
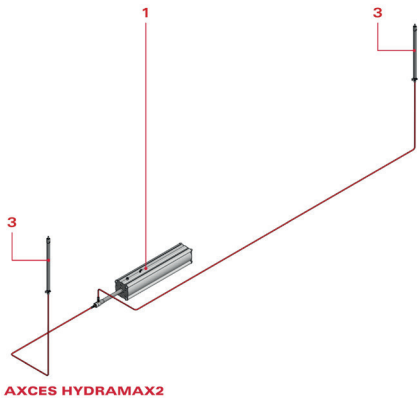
Manual hydraulic lifting with pump on each column in complete steel design.



Number	Name	Quantity	Drawing
0351 220.000	Hydraman 500	4x	
0351 221.000	Set connect Hydraman/Hydratwin	4x	
0351 222.000	Set lift & drive Hydraman/Hydratwin	4x	



Number	Name	Quantity	Drawing
0351 230.000	Hydratwin pump+cyl.	2x	
0351 231.000	Set connect Hydraman/Hydratwin	2x	
0351 232.000	Set lift & drive Hydraman/Hydratwin	2x	



## Type MAX2

For one-sided synchronous lifting.  
Can be lifted up to a height of 500 mm.

## Type MAX4

For double-sided synchronous lifting. Can be lifted either each side separately or both sides at the same time.  
Can be lifted to a height of 500 or 1000 mm.

## Type MAX6

For rigid and heavy roof structures where support is required even in the middle between corner columns. Lifts the entire roof at once, cannot lift just one side.  
Can be lifted to a height of 500 or 1000 mm.

				Hydraulic pump	Hydraulic cylinder	Electric switch
Type MAX2 - 500 mm	•	•		1x - 0351 260.250	2x - 0351 260.050	1x - 0351 260.900
Type MAX4 - 500 mm Type MAX4 - 1000 mm	•	•	•	1x - 0351 260.450 1x - 0351 260.400	4x - 0351 260.050 4x - 0351 260.100	1x - 0351 260.900
Type MAX6 - 500 mm Type MAX6 - 1000 mm			•	1x - 0351 260.650 1x - 0351 260.600	6x - 0351 260.050 6x - 0351 260.100	1x - 0351 260.900



**TRANS – TECHNIK spol. s.r.o.**  
Tyršova 1146, Modřice, 664 42, Česká republika

+420 548 424 039  
objednavky@trans-technik.cz

IČO: 44016077  
DIČ: CZ44016077